

SUBJECT: Fallout from the accident, and immediate  
precautionary measures.

LOCATION: -34.927236, 138.599323 CITY: \_\_\_\_\_

DATE: 26/1/13 SYSTEM: \_\_\_\_\_

CLASSIFICATION: Top Secret



From: \_\_\_\_\_

To: Director Electronic Signals Analysis & Covert Strategy.

As you would now be aware, the Destruction, Creation & Evolution (DCE) faction previously under our observation located within the southern outpost was involved in a severity 4 incident yesterday at the co-ordinates -34.927236, 138.599323 (the Square Mile epicentre).

Following the incident the only known surviving members of the great southern outpost are Ivy Mike, \_\_\_\_\_, Master Data, \_\_\_\_\_ & \_\_\_\_\_. Given the nature of the catastrophe, the area around the 7 cities of the great southern outpost should be considered highly volatile and physically avoided due to high levels of a substance known as \_\_\_\_\_ being present, this substance is known to have genetically mutating properties whose effects are yet unstudied.

One of the remaining inhabitants of the southern outpost has become nominated as a person of interest and is known to us as the mad scientist \_\_\_\_\_ who has been working with the agent Master Data to produce formulas of interest to us in the field of electro \_\_\_\_\_. Currently these formulas are in encrypted form and are being communicated back to their faction on mechanical disks due to satellite damage caused during the incident that has blocked out all communications from the outpost.

We have established an agent in the area to intercept the discs and forward them on to you. This data requires analysis and distribution to interested parties in the homeland for an insight into what the global impact of the use of these \_\_\_\_\_ formulas might bring. The data interception is expected to continue successfully for some time and we anticipate that the breakthrough we are looking for to \_\_\_\_\_ will be contained in these mechanical disks.

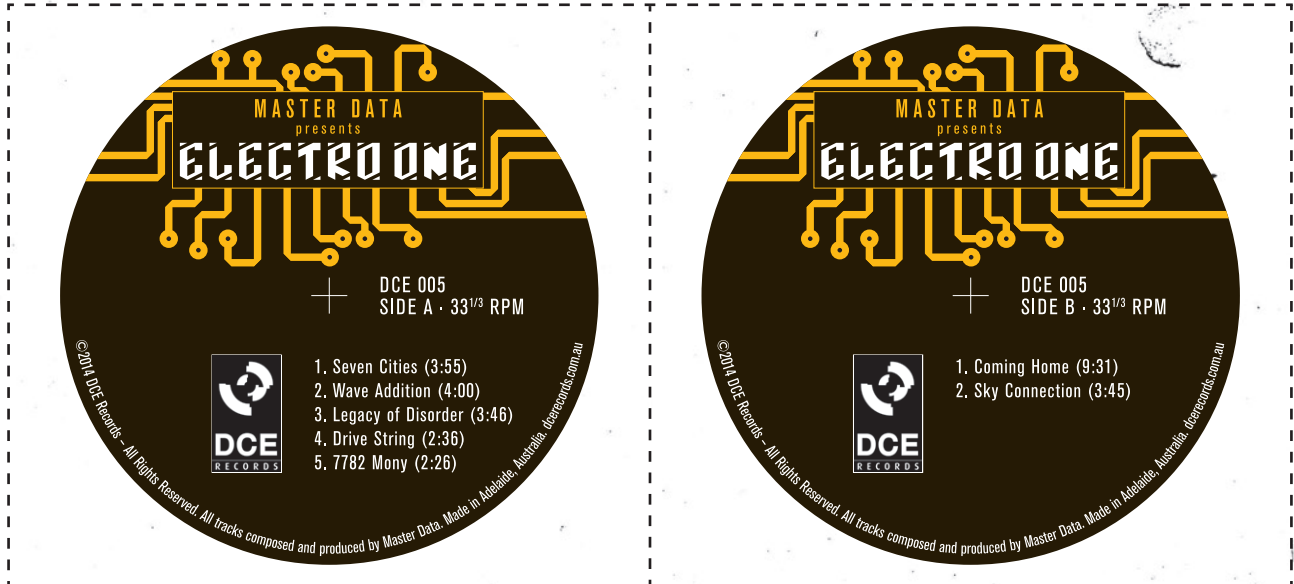
The character known as Ivy Mike who was previously our agent has been identified as a disrupter of mainstream economics and the global corporate structure and must be \_\_\_\_\_ immediately due to his potential for inducing mass revolution and \_\_\_\_\_ using hand made sonic tools to awaken and trigger the \_\_\_\_\_ effect in crowds and populations. The incident in question involved the use of these sonic tools and should be treated as a serious threat to our potential to continue to control the population via traditional mass media.

Please find below a catalogue of the first of the intercepted transmissions.

DESCRIPTION OF CONTENTS

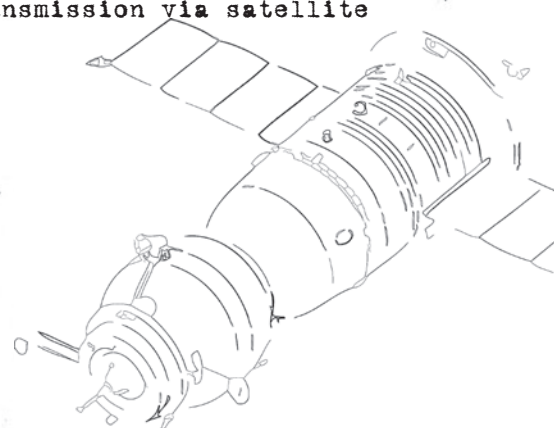
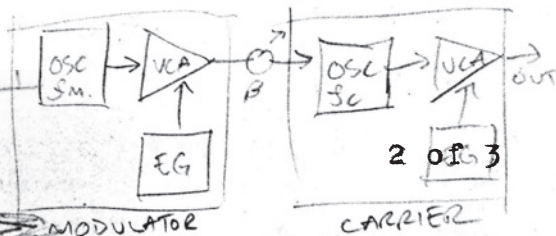
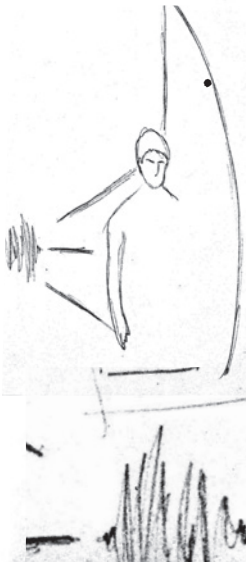
CATALOGUE ITEM #1

DCE 005 "Electro One" - presented by "Master Data"



The first of the intercepted mechanical disks containing the encoded data set.

- Seven Cities - a descriptor of the current environment surrounding the great southern outpost, the key pattern to unleash the energy source [redacted] powering the facilities.
- Wave Addition - a heavily encoded data stream yet to be interpreted but believed to hold the carrier wave required to unlock later sequences.
- Legacy of disorder - believed to be sourced from the inner workings of the mind of [redacted] the mad scientist. May contain a part first elements of the [redacted] formula.
- Drive string - this records the build-up to the incident with a notable increase in energy levels just prior to the [redacted] event.
- 7782 Mony - is an observation of the incident from out asteroid outpost using a spectral analysis of the area to identify [redacted] mutagens.
- Coming home - at the moment of the incident time itself was compressed by the forces of the [redacted] device. Due to this effect Master Data was able capture what appears to be the distant future thoughts of people in the area surrounding the 7 cities who have become corrupted by the [redacted] mutagen. Hypothesised to be a combined record of their memories infused with a focus on their communal future desire to return to a time before the incident.
- Sky connection - a record of [redacted]'s high speed escape attempting to stay ahead of the initial blast wave and deliver the the final sample of [redacted] for transmission via satellite prior to it being rendered defunct.

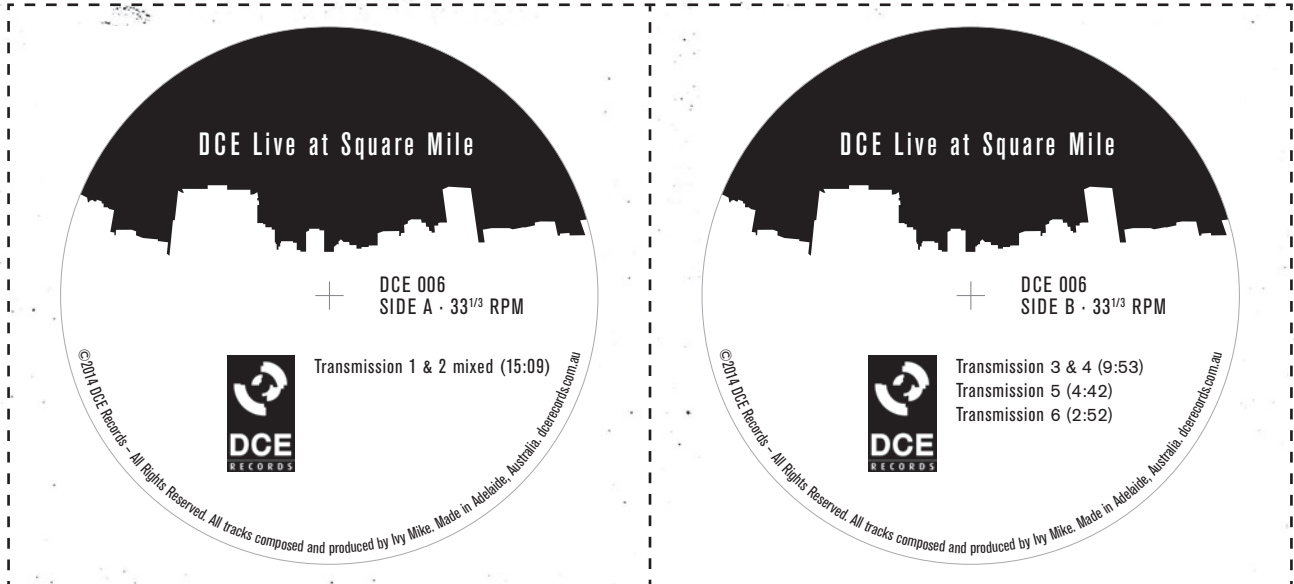




DESCRIPTION OF CONTENTS

CATALOGUE ITEM #2

DCE 006 - "DCE Live at Square Mile" produced by Ivy Mike



Collected at ground zero (co-ordinates -34.927236, 138.599323 - the Square Mile epicentre) at the time of the incident.

The header data was too badly damaged from the accident to comprehend the individual recording titles.

Generated using the hand built sonic tools described in the report. Observations indicated an awakening and trigger of the [REDACTED] effect in the surrounding population.

USE WITH CAUTION, CONSIDERED EXTREMELY DANGEROUS.

LAST KNOWN IMAGE PRIOR TO SQUARE MILE INCIDENT - CLASSIFIED

